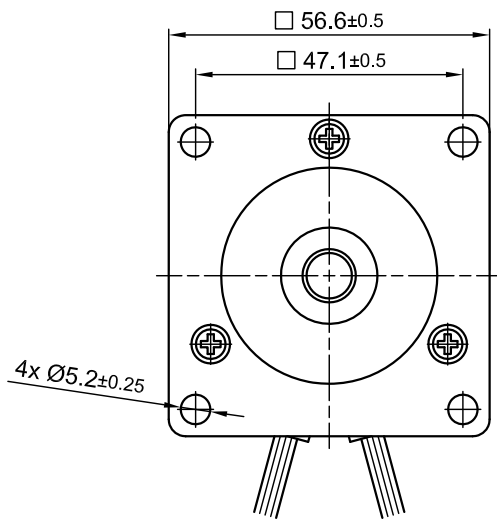
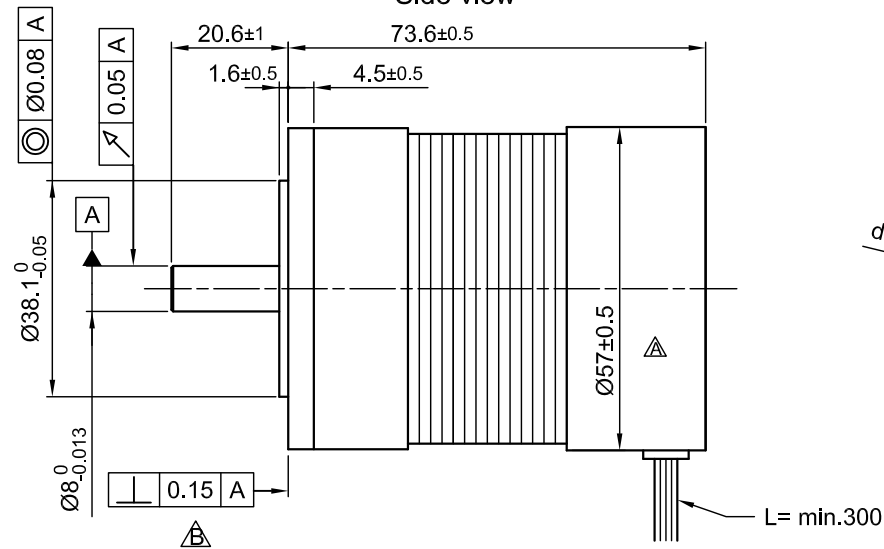


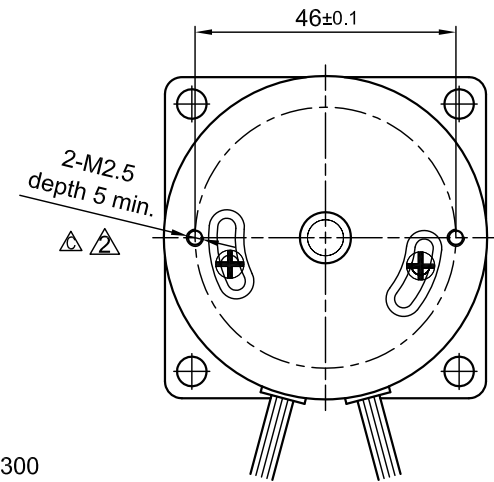
Front view and mounting



Side view

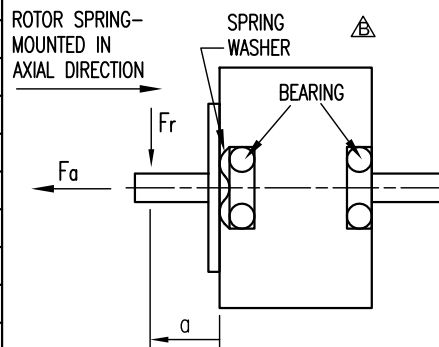


Rear view



| SPECIFICATION  | CONNECTION | STAR                           |
|--|------------|--------------------------------|
| NO. OF POL./PHASE  |            | 6/3                            |
| VOLTAGE RATED (VDC)                                      |            | 24                             |
| CURRENT RATED/PEAK (AMP)                                 |            | 9.4/ 28                        |
| RESISTANCE/PHASE TO PHASE (Ohms) @20°C                   |            | 0.22 ±10%                      |
| INDUCTANCE/PHASE TO PHASE (mH) @1KHz                     |            | 0.29 ±20%                      |
| TORQUE RATED/PEAK (Nm) [lb-in]                           |            | 0.47/1.41 [4.16/12.48]         |
| TORQUE CONSTANT (Nm/A)/BACK-EMF (Vrms/kRPM)              |            | 0.05/ 3.8                      |
| POWER RATED (W)  |            | 172                            |
| SPEED RATED/NO LOAD (RPM)                                |            | 3500/4500 $\Delta$             |
| ROTOR INERTIA (Kg-m <sup>2</sup> ) [lb-in <sup>2</sup> ] |            | 11.9x10 <sup>-6</sup> [0.0406] |
| WEIGHT (Kg) [lb]   |            | 0.72 [1.58]                    |

PERMISSIBLE RADIAL+AXIAL FORCE

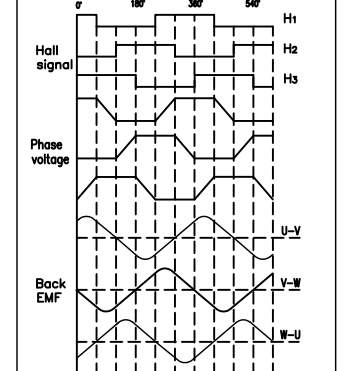


|                     |       |        |
|---------------------|-------|--------|
| AXIAL-FORCE Fa (N)  | Fr    | Fa=15  |
| DISTANCE a (mm)     |       | 20     |
| RADIAL-FORCE Fr (N) |       | 75     |
|                     | AXIAL | RADIAL |
| SHAFT PLAY (mm)     | 0.025 | 0.025  |
| AT LOAD MAX: (N)    | 40    | 4.6    |

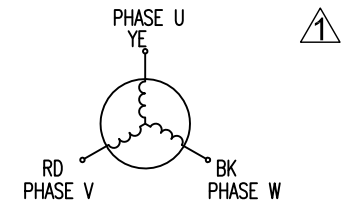
WIRING DIAGRAM

|                          | COLOR | FUNCTION | LEAD GAUGE   |
|--------------------------|-------|----------|--------------|
| MOTOR<br>6 POL.          | YE    | U        | UL1332 AWG18 |
|                          | RD    | V        |              |
|                          | BK    | W        |              |
| HALL<br>18 IMPL.<br>REV. | RD    | +5V      | UL1430 AWG26 |
|                          | BU    | H1       |              |
|                          | GN    | H2       |              |
|                          | WH    | H3       |              |
|                          | BK    | GND      |              |

CW from shaft side



STAR CONNECTION



|     |                          |          |      |
|-----|--------------------------|----------|------|
| 2   | change tol./revise draw. | 30.05.17 | A.S. |
| 1   | CORR. HALL ASSIGNM.      | 13.06.14 | J.D. |
| D   | CHG. NO LOAD SPEED       | 05.05.14 | J.D. |
| REV | DESCRIPTION              | DATE     | DRN  |



Surface specification  
DIN ISO 1302

General tolerances  
DIN ISO 2768- cH

Work piece edge  
DIN ISO 13715

|           |      |          |
|-----------|------|----------|
| APVD      | G.S. | 26.09.13 |
| CHKD      |      |          |
| DRN       | A.S. | 26.09.13 |
| SIGNATURE | DATE |          |

**BRUSHLESS DC MOTOR**

DWG.NO

DB59L024035-A